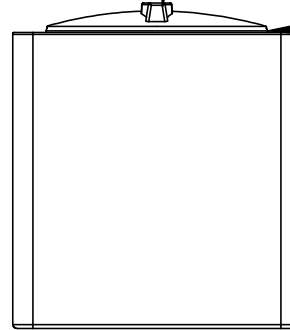
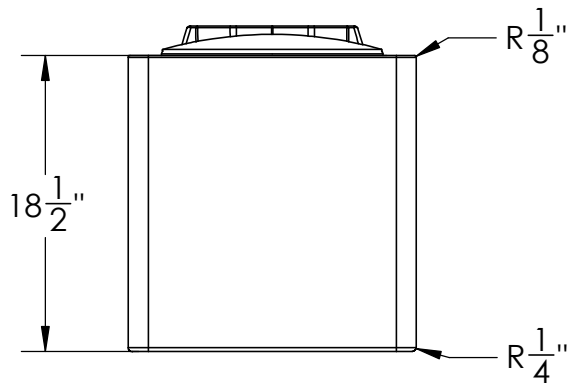


12" Closed Non-vented Lid
#970327



12" Lid Ring with Gasket
#970328

25 Gallon Natural Utility
Tank with
Gasketed Ring & Lid



1390 Neubrecht Road
Lima, Ohio 45801

STOCK NO.
23750, 23751

REV
A

DO NOT SCALE DRAWING

WEIGHT: 19 lbs.

DIMENSIONS ARE IN INCHES TOLERANCE: ± 1/4"		NAME	DATE
MATERIAL	LLDPE - FDA resin	DRAWN	NJV 4/30/24
CAPACITY		APPROVED	
GRADUATIONS	NO	COMMENTS: Natural, Black UV Stabilized	
NOMINAL WALL THICKNESS	1/4"		

PROPRIETARY AND CONFIDENTIAL
THE INFORMATION CONTAINED IN THIS
DRAWING IS THE SOLE PROPERTY OF
TAMCO. ANY REPRODUCTION IN PART
OR AS A WHOLE WITHOUT THE WRITTEN
PERMISSION OF TAMCO IS PROHIBITED.

MAX. OPERATING TEMP. 140°F
INTERMITTENT SERVICE TO 160°F
SEE CHEMICAL RESISTANCE
CHART FOR COMPATIBILITY